

# HN / HNC

## STAINLESS STEEL HYDROCYCLONES

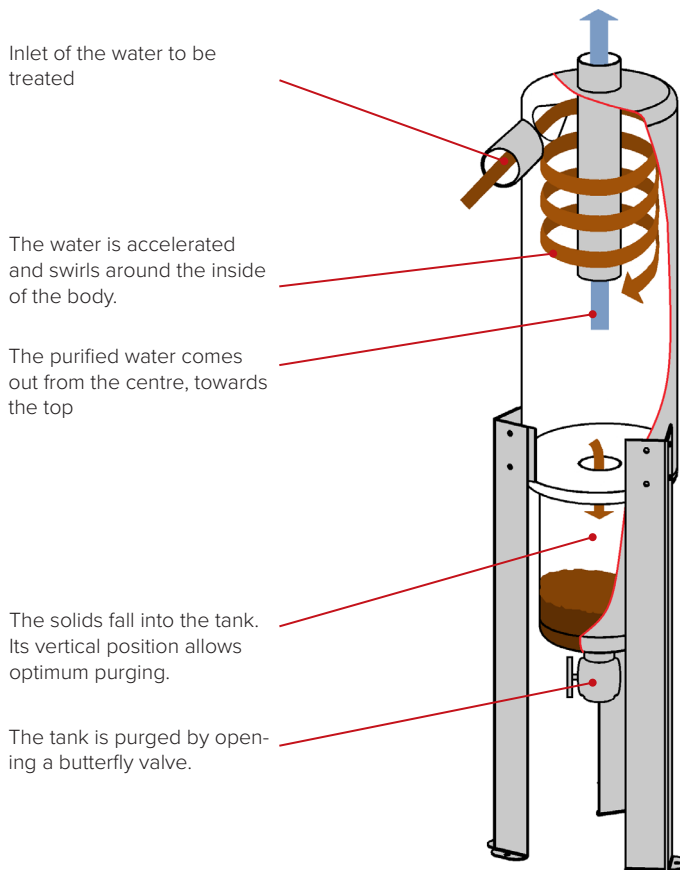
Hydrocyclones are used to eliminate most of the heavy solids present in the water. The main application is the treatment of borehole water loaded with sand.

Hectron HN and HNC hydrocyclones are made of welded stainless steel, offering excellent resistance over time, at pressures of up to 10 Bar.

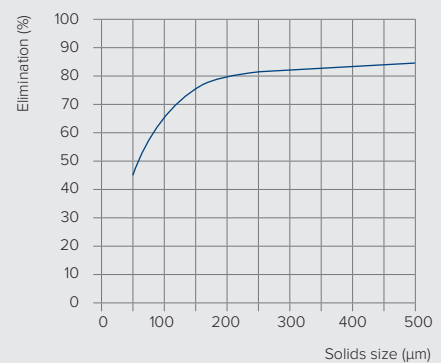
They are cylindrical or conical depending on the sizes. The tank is positioned vertically, making purges more efficient.



## OPERATION



Efficiency: percentage elimination of solids depending on their size. Example for sand, relative density 2.5.



## MODELS



	Inlet / outlet	Min. flow rate (m <sup>3</sup> /h)	Max. flow rate (m <sup>3</sup> /h)
<b>HN 25</b>	1" BSPM	2	8
<b>HN 50</b>	2" BSPM	7	25



	Inlet / outlet	Min. flow rate (m <sup>3</sup> /h)	Max. flow rate (m <sup>3</sup> /h)
<b>HNC 80</b>	3" BSPM	17	45
<b>HNC 100</b>	DN100 flanges	30	70

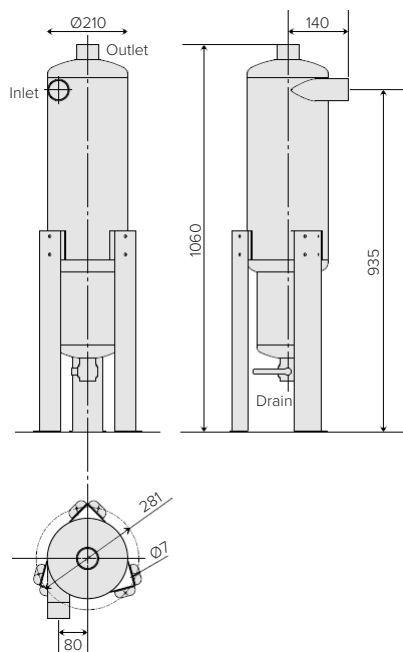
## TECHNICAL SPECIFICATIONS

		<b>HN</b>	<b>HNC</b>
Maximum working pressure	Bar	10	10
Maximum water temperature	°C	100	100
Weight empty	kg	15	50
Weight filled with water	kg	56	220
Tank volume	L	3.5	27
Purge valve	" BSP	1"1/4	2"
Min. / max. head loss	Bar	0.2 / 0.5	0.2 / 0.5
Body		SST 304	SST 304
Purge valve		Brass	Brass

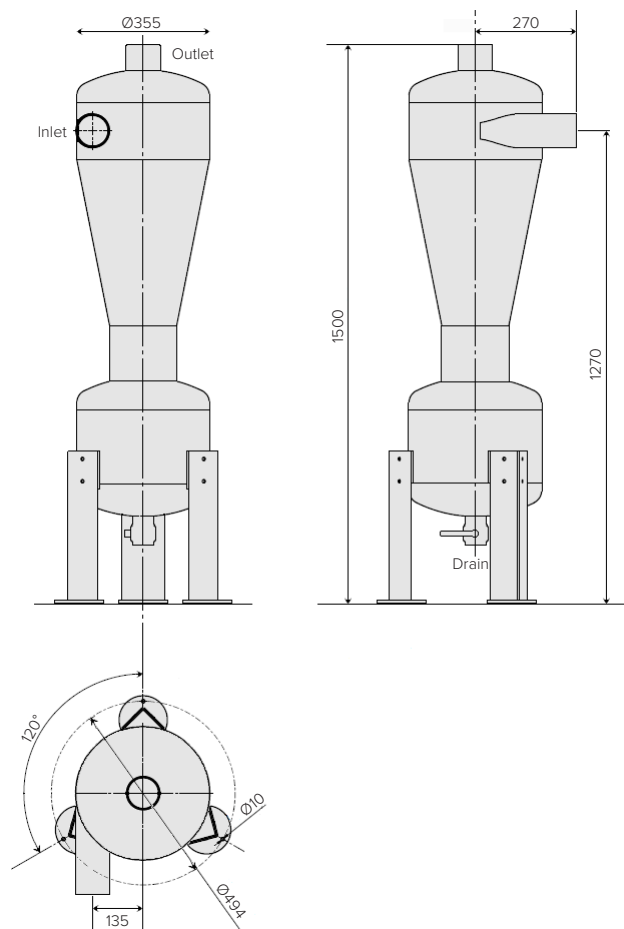
## DIMENSIONS

In mm

**HN**



**HNC**



**HECTRON**

99 - 101, route de Canta Galet - 06200 Nice - France  
tel. : +33 (0)4 93 97 02 42 | info@hectron.com | www.hectron.com